

Towards an Algebra of Geographical Fields

GILBERTO CÂMARA

UBIRAJARA MOURA DE FREITAS

JOÃO PEDRO CERVEIRA CORDEIRO

Divisão de Processamento de Imagens - DPI

Instituto Nacional de Pesquisas Espaciais - INPE

P.O.Box 515

12201-010 São José dos Campos, SP, Brasil

{gilberto, bira, jump}@dpi.inpe.br

Abstract. This work presents a proposal for an algebra of geographical fields. Geographical fields are the mathematical expression of continuously-varying spatial data, such as thematic maps, digital terrain models and satellite imagery. The paper outlines an initial proposal for an algebra of geographical fields that enables the definition of operations based on the properties of geographical data, independent of their graphical representation. This proposal is being used as a data manipulation language in SPRING, a geographical information system developed by INPE.

Keywords: Geographical information systems, spatial data bases, spatial data manipulation language.

1 Introduction

This work introduces an *algebra of geographical fields*. This algebra is designed for the manipulation of continuously-varying spatial data in a semantically significant manner. Geographical fields (formally defined in Section 2 of this work) are a very important subset of geographical data, which include thematic maps, digital terrain models and images.

This type of data is heavily used in environmental applications, such as Agriculture, Forestry and Geology. These applications require combined manipulation of the various types of geographical fields.

Earlier work in this subject (presented in Section 3) includes the definition of a *map algebra* [Tomlin (1990)], which operates directly on the graphical data structures that represented the various types of geographical data. The drawback of this idea is its strong links to the data structures and its limited semantic significance.

The current work is based on a *general data model*, which formally defines the various types of geographical data [Câmara et al. (1994)] and integrates them in an unified environment. The model is part of the design and implementation of SPRING, a geographical information system which works on

UNIX workstations, under the X window system. For a description of the first version of SPRING, see [Câmara et al. (1992)].

The first versions of SPRING did not include a language for direct manipulation of geographical data. In this paper, we propose an algebra that is the basis of such language, and describe its implementation and use.

In resume, the proposal outlined in this paper:

- uses a conceptual data model on the definition of an algebra for geographical fields.
- builds on earlier work on map algebras, by providing spatial analysis tools with semantic content.

2 Geographical Fields

From a conceptual point of view, there are two large classes of geographical data: *fields* and *objects* (Goodchild, 1992). While the former are the main subject of this paper, the latter represent individualizable entities of the geographic realm. *Geo-objects* are part of cadastral maps, network maps or point maps. They are phenomena that may have one or more *graphical representations*, which correspond to

the geo-referenced set of co-ordinates that describe the object's location.

Geo-field

A *geographical field* or *geo-field* is a complex object that represents the spatial distribution a geographical variable over some region of the Earth's surface. We denote the class of geo-fields by GEO-FIELD. A geo-field has a unique identifier, and is characterised by:

- its DOMAIN, the description of a geographical region A ;
- its RANGE, whose values define the set of values V that the geographical variable may take;
- a MAPPING $f: A \Rightarrow V$ between points in A and values in V . If we include the so-called undefined value in V , then f will be a total function.

Depending on the range of the variable, we define the following sub-classes of GEO-FIELD:

- THEMATIC MAP - an instance of this class, called a *thematic map*, defines a mapping $f: A \Rightarrow V$ such that V is a finite enumerable set. The elements of V are called *geo-classes* and, intuitively, define the *themes* of the map.
- DIGITAL TERRAIN MODEL - an instance of this class, called a *digital terrain model* or simply a DTM, defines a mapping $f: A \Rightarrow V$ such that V is the set of real values.
- IMAGES - a mapping $f: A \Rightarrow V$, where the range V is a set of discrete values which are normally associated to a graphical output appearance. In most cases, $V = \{0, \dots, 255\}$, reflecting the characteristics of graphic output devices.

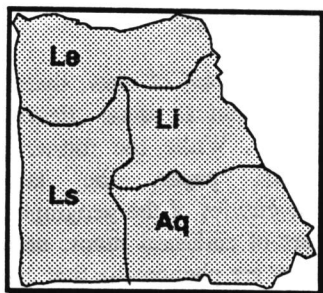


Figure 1 - Example of thematic map (Soil Map)

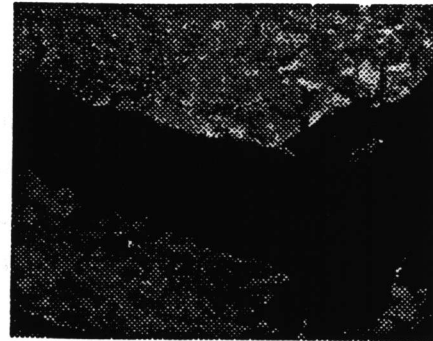


Figure 2 - Example of remote sensing imagery (LANDSAT image of Manaus)

Graphical representations

Geo-fields can be represented in a GIS in various formats. These representations reflect GIS *system design* decisions. We will not discuss the issue in detail here, but note that:

- DIGITAL TERRAIN MODELS can be represented by regular grids or triangular grids.
- THEMATIC MAPS can be represented by a topologically-structured set of vectors or by a symbolic array (raster representation).
- IMAGES are usually represented by an array of values (raster representation).

The advantages and disadvantages of each storage option have been discussed extensively in the literature. Most studies have come to the conclusion that raster *and* vector (as well as regular *and* triangular grid) representations are useful alternatives, and a general GIS should provide both.

The field algebra defined here is general and is not tied to any particular type of graphical representation. Nevertheless, some of the operations are most easily carried out if the data has been converted into raster format.

3 Map Algebra and its Limitations

The major difference between geographical information systems and other types of graphical systems (such as those used of computer cartography) lies in the provision for transforming and manipulating geographical data, enabling data analysis and spatial modelling operations.

In order to enable the interactive specification and performance of spatial modelling, Dana Tomlin [Tomlin (1990)] proposed a language specifically designed for that purpose. This language, called *MAP* (for Map Analysis Package) has been the basis for many commercial implementations of geographical information system operations, especially those who operate in the raster format. The syntax of the *MAP* language allow users to perform operations such as

```
ADD OVERLAY1 TO OVERLAY2 FOR
OVERLAY3.
```

Although very flexible, the *MAP* language has the serious drawback of not distinguishing between the different types of data being operated upon. In the above example, if "OVERLAY1" was a DTM, and "OVERLAY2" a thematic map (where indexes represent classes) the result may be completely meaningless. As a consequence, most systems that use the *MAP* algebra language a basis for performing GIS operations fail to distinguish between these different types of data.

Our proposal builds on the very useful types of operators provided by the *MAP* language, by including them in a semantical context, as defined by the various types of geo-fields.

4 An Algebra of Geo-Fields

The proposed *field algebra* deals with the data types described in Section 2 and its specialisations. The algebra distinguishes the following types of operators:

- *Transformation*: generation of different types of fields (e.g., obtaining a DTM from a THEMATIC MAP), or different classes of data (e.g. *reclassifying* a slope map into a potential hazard map).
- *Point*: the value of the output field at each location is a function only of the input values at the corresponding location. In general, they are used for intersection of spatial information, such as *boolean operations* between THEMATIC MAPS.
- *Neighbourhood*: the output field is computed based on the values of a continuously-varying surface in the neighbourhood of each location. An image processing *filter* would be an example of such operations, as well as spatial interpolation methods. When the neighbourhood is extended to the entire geographical area A , a global operator is obtained.

- *Properties*: this class of operators does not produce a new field as output, but rather a function calculated on basis of the properties of a region or a set to which the corresponding input field location belongs. Calculation of the *histogram* of a field would be an example of such an operation.

Transformation Operators

Transformation operators are used to perform mappings between the various types of geographical fields (such as transforming a DTM into a THEMATIC MAP). These operations are expressed as a mapping solely between the *ranges* of the input and output fields.

More formally, let $f_1: A \Rightarrow V_1$ denote an input field F_1 and $f_2: A \Rightarrow V_2$ denote an input field F_2 . A *transformation mapping* T between F_1 and F_2 is

$$f: V_1 \Rightarrow V_2$$

Depending on the ranges V_1 and V_2 , the operator will have different meanings. Table 1 lists the most common names associated to these operators.

TABLE 1 - Transformation Operations

F_1	F_2	Operation name
THEMATIC MAP	DTM	Weighting
DTM	THEMATIC MAP	Thematic slicing
DTM	IMAGE	Grey level slicing
THEMATIC MAP	THEMATIC MAP	Reclassification

Figure 3 shows an example of the "weighting" operation (the conversion of a soils map into a weighted soils map). In this case, $V_1 = \{ Le, Li, Ls, Aq \}$, $V_2 = [0.0, 1.0]$ and T is the set of ordered pairs $\{(Le \rightarrow 0.60), (Li \rightarrow 0.20), (Ls \rightarrow 0.35), (Aq \rightarrow 0.10)\}$.

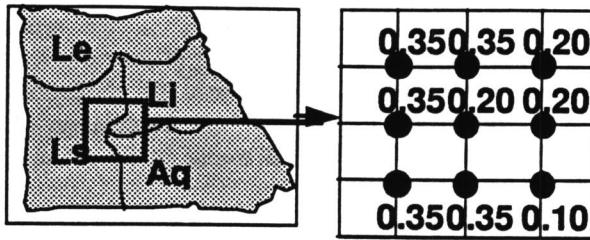


Figure 3 - Example of the "weighting" operation.

Point Operators

Point operators include mathematical functions, boolean operations, comparison operators and functions such as finding extremes and averages. In a general sense, a point operation on a set of fields $\{ F_1, F_2, F_3, \dots \}$ is such that, for every location (x,y) of the output field F_{new} , the value of the new attribute can be expressed as

$$f_{new}(x,y) = g(f_1(x,y), f_2(x,y), \dots)$$

where $f_i(x,y)$ is the value of the input field F_i at the location (x,y) .

Depending on the ranges of the input and output fields, we shall consider different possibilities for g :

- **boolean and comparison operators** can be applied to all types of geographical fields. When the resulting map is a thematic map, it is usually necessary to specify a set of conditions that have to be satisfied for each output class.
- **mathematical operators**, such as arithmetic and trigonometric functions, can be applied to DTMs and (with restrictions on the output range) to IMAGES.

This type of operation is illustrated below. In this case, F_1 is a weighed soils field (the same used in figure 3) and F_2 is a slope map (the slope is the derivative of the altimetry). In this case,

$$g(f_1, f_2) = f_1 + 1/f_2$$

In practice, this operation could be used to determine suitability classes for land use (the higher the value, the more suitable).

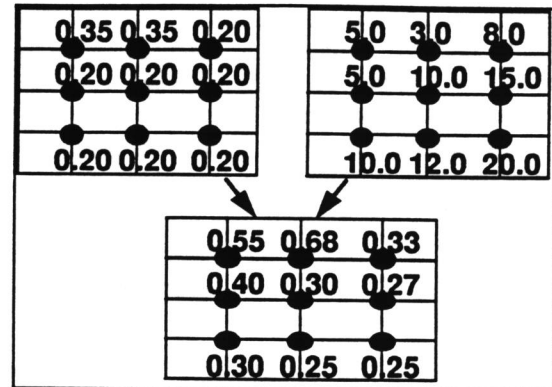


Figure 4 - Example of a point operator

Neighbourhood operators

In this class of operators, given a field F denoted by $f: A \Rightarrow V$, the output field F_{new} is computed based on the values of a neighbourhood N of defined size around each point, and a set of functions f_i to be evaluated on each point in N , according to the general expression:

$$f_{new}(x,y) = g(\sum f_i(x,y)), \quad i \in N$$

Examples include:

- **filters for processing IMAGES**
- **spatial interpolation methods** (such as kriging) for DTMs where a field is computed
- **slope and aspect calculations** for DTMs
- **diversity indexes** for THEMATIC MAPS (where the output value is associated with the number of neighbors of the input point which are of a different class).

As an example, a filter could be calculated for a discrete image field on the basis of a 3x3 window around a point, based on the following formula:

$$F_{new}(x,y) = 5*f(x,y) - f(x+1,y) - f(x-1,y) - f(x,y+1) - f(x,y-1)$$

Property operators

In this class of operators, given a field F denoted by $f: A \Rightarrow V$, a property P is computed by $p: V \Rightarrow R$, where p is computed over the entire geographical area A , or a subset. This definition can be extended to include many input fields. In this case, the property

function P will be multi-dimensional, given by $P: V_1 \times V_2 \times \dots \times V_n \Rightarrow R$, where $\{ V_1, V_2, \dots, V_n \}$ indicate the ranges of the input fields. Examples are:

- the *histogram* of an image. For each value of the input range (usually the set $\{0, \dots, 255\}$) the output function gives the number of image points which have this value.
- *Spatial statistics* operations (such as “calculate the cross-distribution of soil types and land use”) for THEMATIC MAPS. In this case, two input fields are used and the result is a two-dimensional functions known as *cross-tabulation*.

5 Implementation on the SPRING software

The proposed field algebra has been used as a basis for implementing a language for spatial modelling in the SPRING software. In the discussion that follows, examples of the language operators are presented. A more complete description of the language is given in the appendix. All operators and the reserved language expressions are shown in SMALLCAPS.

The language assumes the following conditions:

- the user has defined its data as specialisation of the three classes of fields. For example, a “Soil Map” is an specialisation of a THEMATICMAP class. We use the word “category” to indicate a particular type of GEO-FIELD.
- All types of geographical data which are specialisations of THEMATICMAP class have also has their possible values (“themes” or “classes”) defined by the user. In other words, all the possible classes of soils have been defined previously.

Selection Operators

The selection operators are additional operators (not defined in the formal field algebra) and include RETRIEVE and NEW. The RETRIEVE operation enables the selection of a data set; its complete syntax will include giving complete restrictions. Regarding the scope of this paper, we will only present the simplest form of the RETRIEVE operation, which is to select a field based on its data type (“category”) and name, as shown in the examples used in this paper.

The NEW operator indicates that a new instance of the class is created. In the next example, the variable “s_map” is an instance of a “Soils map” and “apt_map” is a new instance of an “Aptitude” map.

Transformation Operators

Transformation operators are used to perform mapping between the various types of geographical fields, as described below:

- WEIGHT: transforms a THEMATIC MAP into a DTM;
- SLICE: transforms a DTM or an IMAGE into a THEMATIC MAP;
- RECLASSIFY: transforms a THEMATIC MAP into another one of a different class.

As a rule, the transformation operators require that the user defines a mapping between the input and output fields. The language allows the user to define *tables* which describes such mappings. More complex mappings are planned for subsequent versions of the language. The TABLE operator can be specialised into different types (WEIGHT_TABLE, SLICE_TABLE, RECL_TABLE) to fit the needs of each transformation.

Point Operators

The operators include:

- *boolean and comparison operators*, which can be applied to all types of geographical fields.
- *mathematical operators*, such as arithmetic and trigonometric functions.

When the resulting field is a THEMATIC MAP, it is usually necessary to specify a set of conditions that have to be satisfied for each output class. This set of conditions is calculated by the SWITCH operator.

An example of the use of the SWITCH operator is given below, where a Soil Aptitude map is calculated, based on rainfall averages, topography and soil type.

```
THEMATIC s_map, apt_map;
DTM topo_map, rain_map;
topo_map = RETRIEVE (CATEGORY = "Topography",
NAME = "TOP92");
rain_map = RETRIEVE (CATEGORY = "Rain",...);
s_map = RETRIEVE (CATEGORY = "Soils Map",...);
apt_map = NEW (CATEGORY = "Aptitude",...);
apt_map = SWITCH
{ "Good": s_map.class = "Le" AND
rain_map >= 1000 AND
```



```

topo_map <= 1500;
"Medium" : s_map.class = "Aq" AND
rain_map >= 600 AND
topo_map <= 1000;
"Bad" : DEFAULT;
}

```

Figure 5 - The SWITCH operator

Neighbourhood operators

The neighbourhood operators available in the SPRING language include:

- FILTER operators: summarise value according to the values of a region within a distance from a point. The user defines the weights to be applied for each point, creating a MASK.
- REFINE operator: obtain a finer dtm from an existing one, with different interpolation methods (linear, quadratic and quintic surfaces).
- SLOPE, ASPECT : these operator calculate the local derivatives of a surface and obtain, as a result, its module (slope) and orientation (aspect).
- WATERSHED: determine the catchment areas (basins) from a DTM.

Property operators

- HISTOGRAM: frequency distribution for the various classes (or values) of a field and associated statistical parameters.
- CROSS-TABULATION: frequency distribution of common occurrence between the classes (or values) of two or more fields.
- CROSS-SECTIONS and PROFILES

6 Application Example

A very useful operation to be performed in spatial analysis is the calculation of weighted averages. This operation is also referred as "suitability analysis" and involves assigning a weight to each specific class of a thematic map.

For example, a site selection study for a waste disposal facility could include a suitability map based

on two inputs: the soil type and a slope map. The output suitability map is graded varying from 0.0 to 1.0 depending in the variation of the input data. This data can be further characterised as making all areas that have an acceptable suitability value to be marked as "suitable for a waste disposal site", as outlined below.

```

THEMATIC soil_map, suit_map;
DTM topo_map;
TABLE w_table, s_table;
topo_map = RETRIEVE (CATEGORY = "Altimetry");
soil_map = RETRIEVE (CATEGORY = "SoilMap");
suit_map = NEW (CATEGORY = "WasteDisposal");
w_table= CREATE_TABLE
(CATEGORY_IN="Soils Map",
TYPE = WGHT_TABLE,
"Lg" = 0.2, "Aq" = 0.3, "Le" = 0.7);
s_table= TABLE
(CATEGORY_OUT= "WasteDisposal",
TYPE = SLICE_TABLE,
[0.0, 0.5] = "unsuitable",
[0.5, 0.8] = "possible",
[0.8, 1.0] = "recommended");
suit_map = SLICE (
(WEIGHT (soil_map, w_table)*0.3
+ (1/SLOPE (topo_map)*0.7)), s_table);

```

Figure 7 - Example of a complex operation

7 Conclusions And Future Work

This proposal represents the first version of the algebra of geographical fields which is part of the SPRING software. The algebra proposed here is able to perform various classes of spatial analysis, including relatively complex ones.

The advantage of this language over similar proposals on the literature is its semantical content, which avoids cumbersome control procedures and enables easy understudying of the language.

Further work to be carried out includes the formal definition of an algebra of geo-objects (another important subclass of geographical data), the analysis of the interactions and transformations between geo-

fields and geo-objects, and the definition of operators of higher complexity, including those used in simulation and modelling.

It is envisaged that the language described here will be the basis for the development of complex environmental applications, using SPRING.

8 Acknowledgements

SPRING is team effort, whose chief architect is Ricardo Cartaxo Modesto de Souza and including:

At INPE: Ana Paula Dutra de Aguiar, Carlos Felgueiras, Cláudio Clemente Barbosa, Eduardo Camargo, Fernando Mitsuo Ii, Fernando Yutaka Yamaguchi, Gilberto Camara, Guaraci Erthal, Eugenio Sper de Almeida, Joao Argemiro de Carvalho Paiva, Joao Pedro Cordeiro, Joao Ricardo Freitas Oliveira, José Cláudio Mura, Júlio Cesar Lima D'Alge, Laércio Namikawa, Lauro Hara, Leila Garcia, Leonardo Bins, Marina Ribeiro, Marisa da Motta, Silvia Shizue Leonardi, Sergio Rossim, Ubirajara Moura Freitas (project manager), and Virginia Correa. Maycira Costa, Silvana Amaral and Lygia Mammana have assured the user documentation.

At IBM Rio: Marco Casanova, Andrea Hemerly, Mauricio Mediano, Marcelo Salim, Claudia Tocantins, Paulo Souza.

At EMBRAPA: Jaime Tsuruta, Ivan Lucena.

The Brazilian National Research Council (CNPq) has also provided support, through the RHAЕ program. We also thank the anonymous referees of SIBGRAPI 94 for very useful comments on the first version of this paper.

9 References

- Burrough, P.A (1987). *Principles of geographic information systems for land resources assessment*. Clarendon Press, Oxford.
- Burrough, P.A (1992). "Development of intelligent geographical information systems". *International Journal on Geographical Information Systems*, 6(1):1-11.
- Câmara, G., Freitas, U., Souza, R.C.M., Casanova, M.A. (1992). "SPRING: Processamento de Imagens e Dados Georeferenciados", *Proceedings of V Brazilian Symposium on Computer Graphics and Image Processing (SIBGRAPI 92)*, Águas de Lindoia, 1992, pp. 233-242.
- Câmara, G., Freitas, U., Souza, R.C.M., Casanova, M.A., Hemerly, A.S. (1994). "A General Data Model For Integrating Remote Sensing And GIS Data", in *Proc. ISPRS Commission IV Symposium on Mapping and Geographical Information Systems*, Athens (GA), pages 15-22.
- Goodchild, M. (1992) "Geographical data modeling", *Computers & Geosciences*, 18 (4): 401-408.
- Tomlin, D. (1990) *Geographic information systems and Cartographic Modeling*. Prentice Hall, New York.

Appendix - List of Operators in the SPRING Field Algebra

The following is an initial list of the operators of the field algebra described in this paper

Operator	Type	Modif.	DTM ?	Images ?	Them. Maps ?	Description
RETRIEVE	Selection		Y	Y	Y	Retrieves a field from a geographical data base
NEW	Selection		Y	Y	Y	Creates a new field
WEIGHT	Transf.	TABLE	N	N	Y	Thematic map into a DTM
SLICE	Transf.	TABLE	Y	Y	N	DTM (or image) into a thematic map
RECLASSIFY	Transf.	TABLE	N	N	Y	Generates a new type of thematic map
BOOLEAN	Point		Y	Y	Y	Comparison of properties of fields
ARITHMETIC	Point		Y	Y	N	Weighed means, trigonometric functions
SWITCH	Point		Y	Y	Y	Combined comparison of logical and numerical values of fields
FILTER	Neighb.	MASK	Y	Y	Y	Local sums, maxima, minima
SLOPE/ASPECT	Neighb.		Y	Y	N	Local derivative of fields (module and angle)
REFINE	Neighb.		Y	Y	N	Generation of finer-resolution field
WATERSHED	Neighb.		Y	Y	N	Determine the catchment basins for the field
HISTOGRAM	Property		Y	Y	Y	Frequency distribution of field values
CROSS-TABULATION	Property		Y	Y	Y	Frequency distribution of common occurrences between classes